



**SAFARI**  
BELTING SYSTEMS

# LF-F3000B

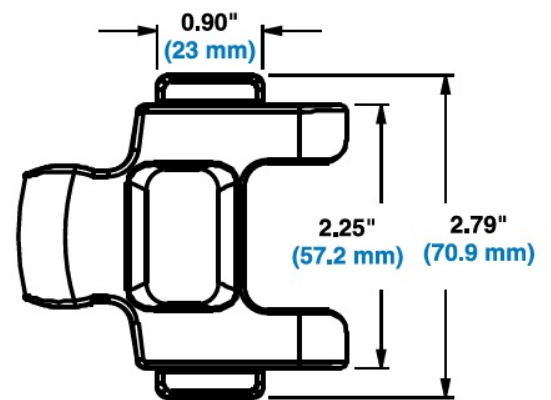
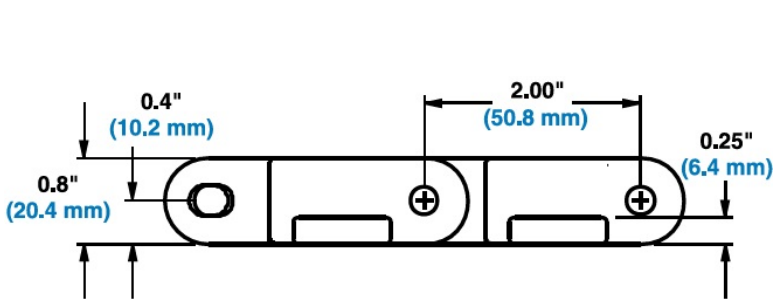
## Straight Running Knuckle Chain

DIMENSION	INCH	mm
P	2.00	50.8
W	2.25	57.2
H	0.8	20.4
F	0.4	10.2



Plate Materials: POM-LF  
Pin Material: 304 Stainless Steel

CHARACTERISTICS	WIDTH W		CHAIN STRENGTH		TEMPERATURE		WEIGHT	
	mm	inch	kg	lb	°C	°F	kg/m	lb/ft
LF-3000A	57.2	2.25	317	700	-46 to 93	-50 to 200	1.21	.88



**SAFARI** Belting Systems, Inc.

900 East Loula | Olathe, Kansas 66061 USA

info@safaribelting.com | (913) 254-7582

www.safaribelting.com

Toll Free (888) 662-6611

Toll Free Fax (888) 234-3070

**Competitively Priced. Customer Driven. Quality Focused.**