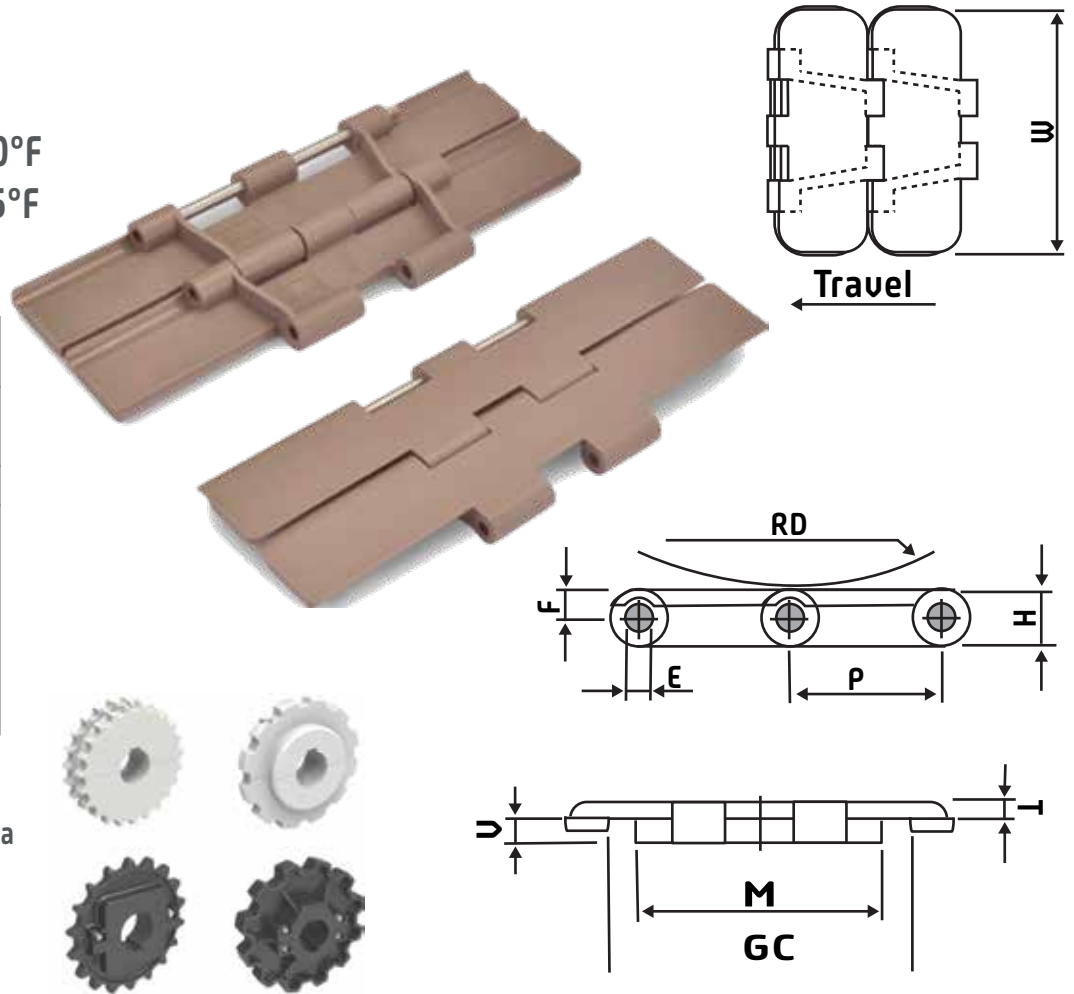


# LFS-821

## Straight Running Plastic Chain

Plate Materials: POM-LF  
 Pin Material: Stainless Steel  
 Dry Temp Range: -50°F to 200°F  
 Wet Temp Range: -45°F to 185°F

DIMENSIONS	INCH	MM
P	1.5	38.1
H	.563	14.3
T	.189	4.8
E	.311	7.9
M	5.374	136.5
F	.311	7.9
U	.512	13.0
RD	1.575	40.0
GC	5.512	140.0



Sprockets and Idler Wheels Available in a Variety of Tooth Counts and Bore Sizes.

CHARACTERISTICS	WIDTH W		WORKING LOAD		Rev Radius		WEIGHT
	MM	INCH	N(70lbs)	Lbs(70F)	MM	INCH	lbs/ft
LFS-821 K750	190.5	7.50	2680	603	50	1.97	1.68
LFS-821 K1000	254.0	10.00	2680	603	50	1.97	2.00
LFS-821 K1200	304.8	12.00	2680	603	50	1.97	2.21

Standard shipping lengths = 80 pitches = 10 ft. = 3.048 M

### Conveying Innovation to Industry