

LFS-F3000B

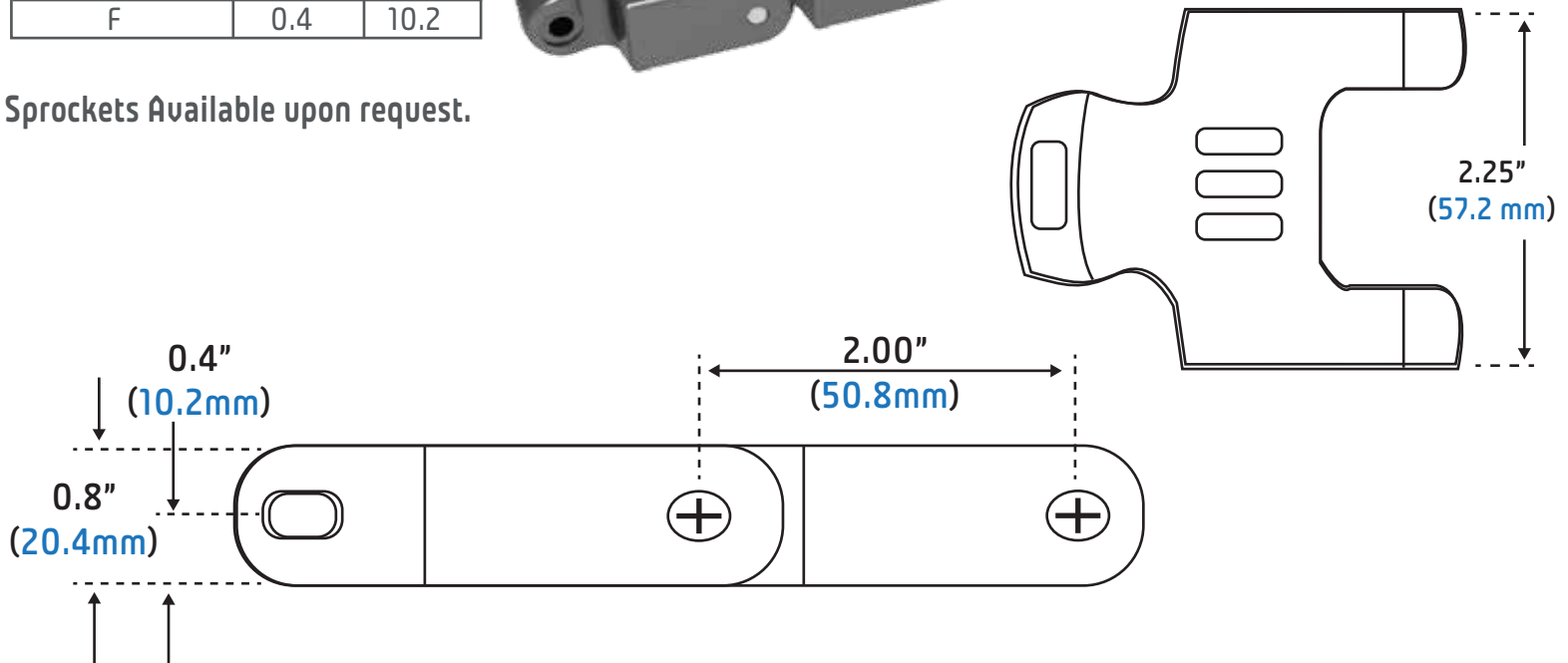
Straight Running Vented Knuckle Chain

Plate Materials: POM-LF
Pin Material: Stainless Steel

DIMENSIONS	INCH	MM
P	2.00	50.8
W	2.25	57.2
H	0.8	20.4
F	0.4	10.2



Sprockets Available upon request.



CHARACTERISTICS	WIDTH W		CHAIN STRENGTH		TEMPERATURE		WEIGHT	
	MM	INCH	KG	LB	°C	°F	KG/M	INCH
LFS-F3000B	57.2	2.25	317	700	-46 to 93	-50 to 200	1.21	.88

Conveying Innovation to Industry