

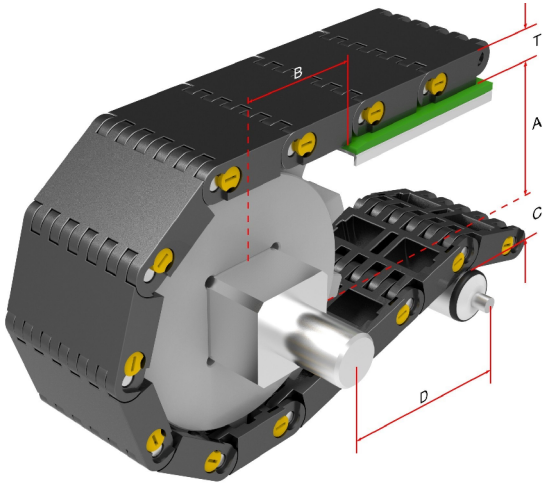


SAFARI
BELTING SYSTEMS

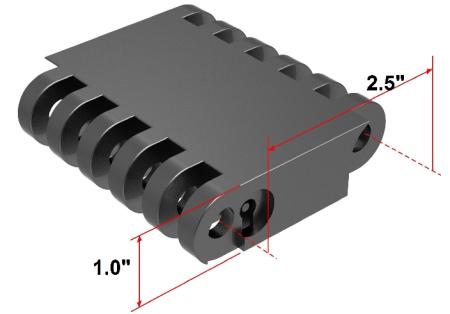
SF-1800A

Heavy Duty Flat Top

2.5" Pitch

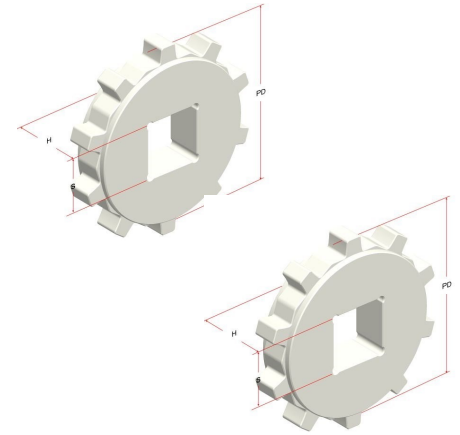


Dimension	inch	mm
Pitch	2.5"	63.5
Min Width	7.87"	200mm
Open Area	0%	0%
Rod	.40"	10mm
Thickness	1"	25mm
Flights	No	No
Side	No	No



Belt Material	Belt Strength	Temperature		Belt Weight
		Fahrenheit		
	Straight	Min	Max	
	Lb/Ft (BW)			Lb/ Sq Ft
Acetal	6719	-50	150	6.82
Acetal + AS	6719	-50	150	6.82

BW = Belt Width AS= Flame Retardant



Polypropylene					Polyethylene					Acetal					Nylon				
W	G	N	DB	B	W	G	N	DB	B	W	G	BI	DB	B	W	G	N	DB	B
										●	●	●		●					

W-White, G-Gray, N-Natural, DB-Dark Brown, BI-Black, B-Blue

No of Teeth	PD	Bore Size
10	8.07"	2.5"
13	10.43"	3.5"
15	12.00"	3.5"
20	16.00"	3.5"

Special Order Sprockets Available

Brand Comparison	Intralox	Habasit	Uni Chain	Rexnord
Series and Style	1800	6300	XLB	3100
	4500	6400	X-MPB	6900



SAFARI Belting Systems, Inc.

900 East Loula | Olathe, Kansas 66061 USA

info@safaribelting.com | (913) 254-7582

www.safaribelting.com

Toll Free (888) 662-6611 Toll Free Fax (888) 234-3070

Competitively Priced. Customer Driven. Quality Focused.