

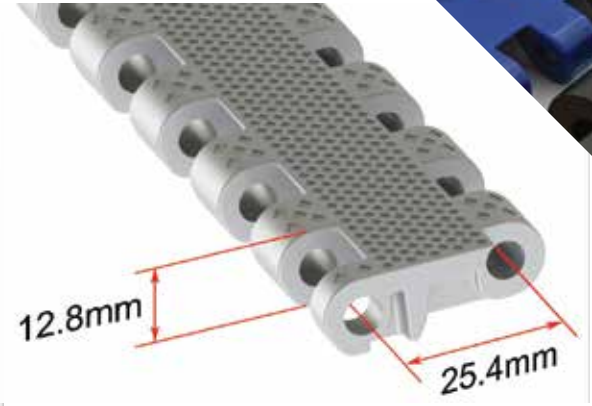
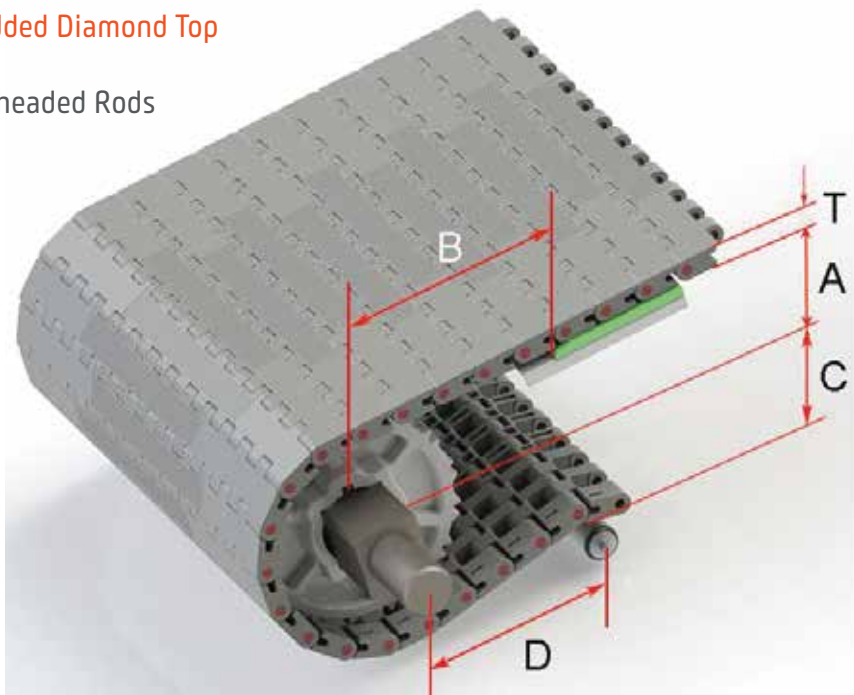
SF-1400ZS

Embedded Diamond Top

1" Pitch

Direct Replacement for:
Intralox 1400
Embedded Diamond Top

*Non-headed Rods



Pitch	Thickness	Min Width	Rod	Open Area	Flights	Side Guards
1"	.5"	5"	.236"	0%	No	No
25.4mm	12.8mm	127mm	6mm			

Belt Material	Standard Rod Material	Belt Strength		Temperature Fahrenheit		Belt Weight Lb/Ft ²	Colors
		Straight Lb/Ft	Curved Lb/Ft	Min	Max		
PP	PP	5904	-	33°	212°	18.7	W, G
PE	PE	5732	-	-76°	140°	20.3	N
Acetal	PE	8201	-	-40°	176°	27.6	W, B
Nylon	PA	7760	-	33°	356°	26.5	BR

BW = Belt Width, W-WHITE, B-BLUE, DB - DARK BLUE, RB-ROYAL BLUE, N-NATURAL, G-GRAY, BK-BLACK, BR-BROWN

# of Teeth	PD	Bore Size
12T	3.9"	1.5"S
15T	4.9"	1.5"S
18T	5.7"	1.5"S, 2.5"S
24T	7.7"	2.5"S
16T-Split	5.1"	1.5"S
21T-Split	6.9"	1.5"S

Special Order Sprockets Available

Belt Standard Alterations	+/- 1"
Flight Standard Indent	N/A



SAFARI Belting Systems, Inc.
Conveying Innovation to Industry