

# SF-500BHD EL

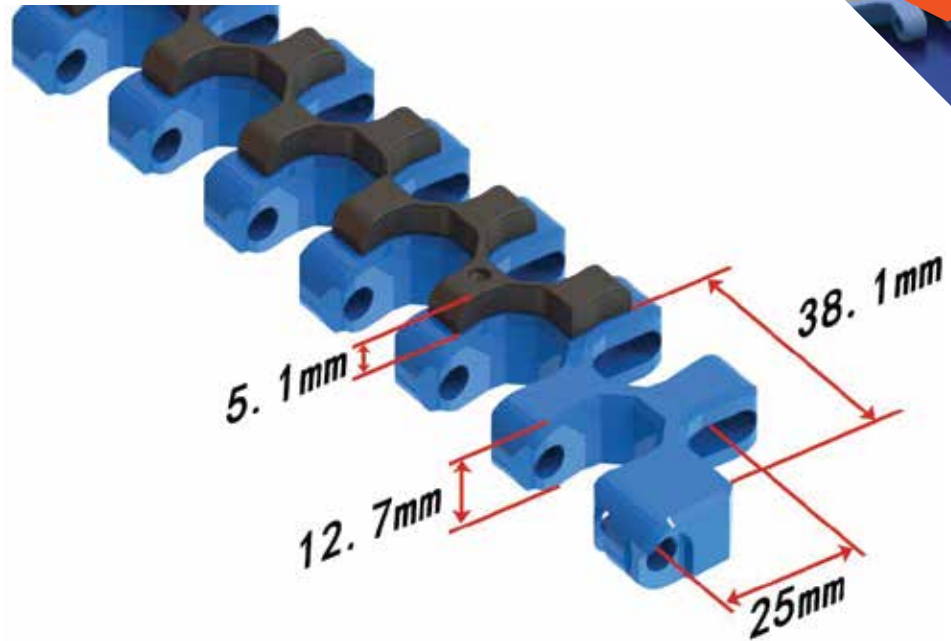
## Radius Grip Top Flush Grid

### 1" Pitch



Replaces:  
Intralox 2400  
Grip Top Flush Grid  
(same sprockets)

\*Headed Rods



Pitch	Thickness	Min Width	Rod	Open Area	Flights	Side Guards
1"	.70"	9.01"	.19"	36%	Yes	No
25.4mm	17.8mm	229mm	4.9mm			

Belt Material	Standard Rod Material	Belt Strength		Temperature Fahrenheit		Belt Weight Lb/Ft <sup>2</sup>	Colors
		Straight Lb/Ft	Curved Lb/Ft	Min	Max		
PP	PA	1300	230	33°	230°	1.50	B, DB, G, W

BW = Belt Width, W-WHITE, B-BLUE, DB-DARK BLUE, RB-ROYAL BLUE, N-NATURAL, G-GRAY, BK-BLACK, BR-BROWN

**WARNING:** Do not place fingers in or on this belt. Fingers can get trapped in belt openings, resulting in personal injury. This belt has pinch points due to the belt spreading and collapsing as it flexes to follow the conveyor path. Pinch points can trap fingers, hair, or clothing, causing personal injury. Do not wear loose clothing, loose gloves, or hand/finger jewelry when working near this belt. Call Customer Service for tags, flyers, and stickers containing this warning.

# of Teeth	PD	Bore Size
12	3.9"	1"R, 1.5"S
18	5.8"	1"R, 1.5"S
24	7.9"	1.5", 2.5"S
12-2R	3.9"	1"R, 1.5"S
15-2R	4.9"	1"R, 1.5"S
18-2R	5.8"	1.5", 2.5"S
21-2R	6.8"	1.5"S
24-2R	7.9"	1.5", 2.5"S

Special Order Sprockets Available

Belt Standard Alterations	+/- .8"
Flight Standard Indent	+/- 1.1" (Depends on Material)



**SAFARI** Belting Systems, Inc.  
Conveying Innovation to Industry