

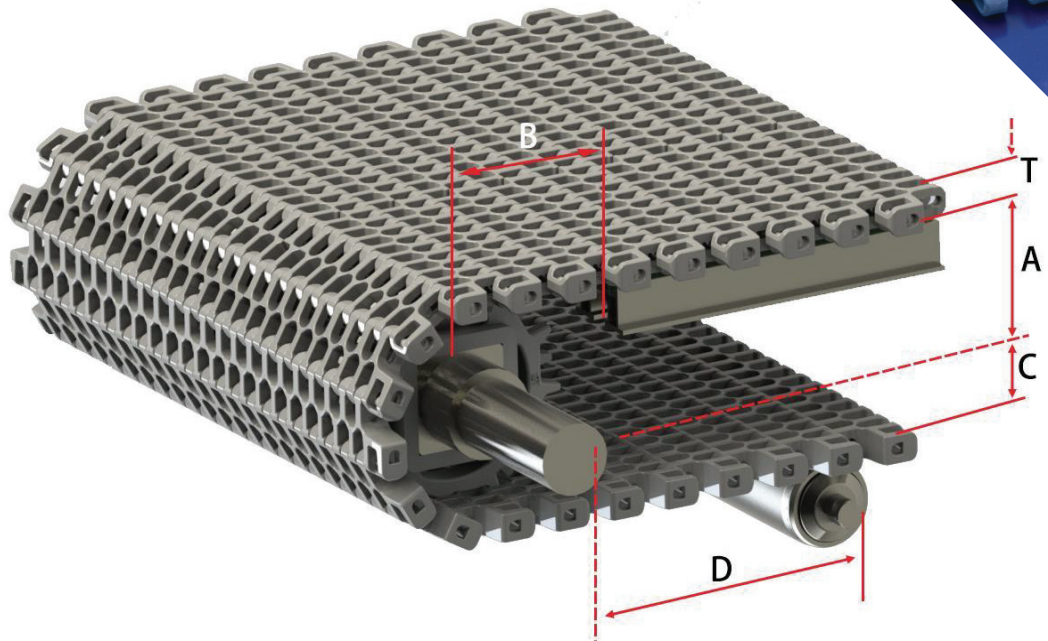
SF-2400B

Radius Flush Grid

1" Pitch

Direct Replacement
Intralox 2400
Flush Grid

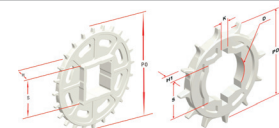
*Non-Headed Rods



Pitch	Thickness	Min Width	Rod	Open Area	Flights	Side Guards
1"	.5"	4"	.177"	42%	No	No
25mm	12.7mm	101.6mm	4.5mm			

Belt Material	Standard Rod Material	Belt Strength		Temperature Fahrenheit		Belt Weight Lb/Ft ²	Colors
		Straight Lb/Ft	Curved Lb/Ft	Min	Max		
PP	PA	1600	230	33°	230°	1.50	B, G, W
POM	PA	1720	330	-50°	150°	1.75	B, W
Nylon	PA	1720	330	33°	180°	2.45	BR
ULTIG	POM	1700	375	30°	302°	1.40	B, N, W

BW = Belt Width, W-WHITE, B-BLUE, DB-DARK BLUE, RB-ROYAL BLUE, N-NATURAL, G-GRAY, BK-BLACK, BR-BROWN



# of Teeth	PD	Bore Size
12	3.9"	1"R, 1.5"S
18	5.8"	1"R, 1.5"S
24	7.9"	1.5", 2.5"S
12-2R	3.9"	1"R, 1.5"S
15-2R	4.9"	1"R, 1.5"S
18-2R	5.8"	1.5", 2.5"S
21-2R	6.8"	1.5"S
24-2R	7.9"	1.5", 2.5"S

Special Order Sprockets Available

Belt Standard Alterations	+/- 1"
Radius Turn Minimum	2.2



SAFARI Belting Systems, Inc.
Conveying Innovation to Industry